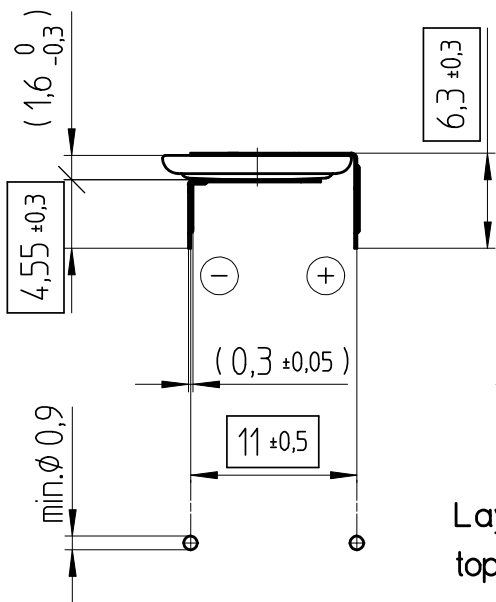
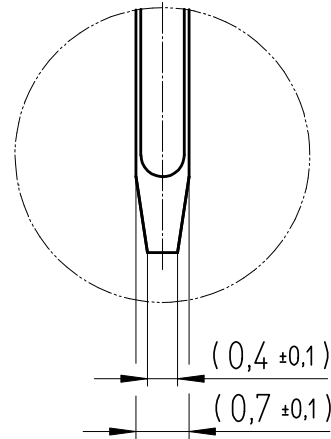
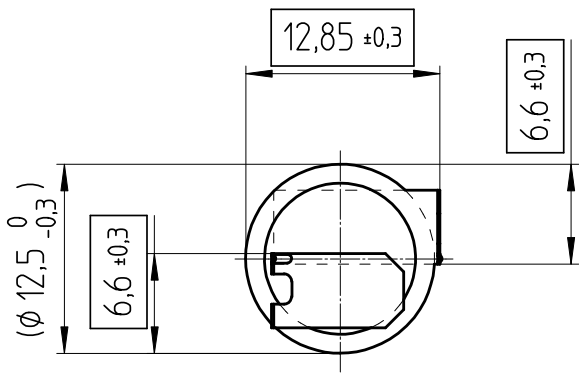
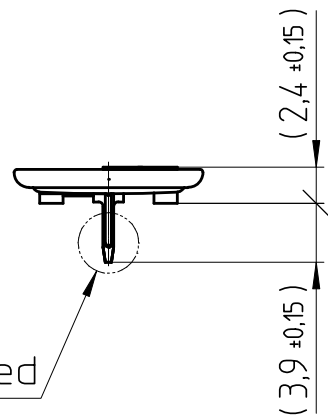


Art.-Number: 701062



solder plated



Layout top view

- Samples can deviate in the execution from the serie.

Tab material: Stainless steel

All framed values will be used for dimension checking !

- Dimensions and tolerances can be specified only after the testing of the devices for the mass production definitely

Rev.	<input type="radio"/>			Rev.	<input type="radio"/>				Customer's Approval			
Rev.	<input type="radio"/>			Rev.	<input type="radio"/>				Date			
Rev.	<input type="radio"/>			Rev.	<input type="radio"/>				Signature			
Titel:								Scale 2:1	Drawn	21.12.04	SRi	
CR1216FH-LF									Checked	07.02.05	MHo	
									Approved			
								CH-4452 Itingen Switzerland			3.8699.4-	