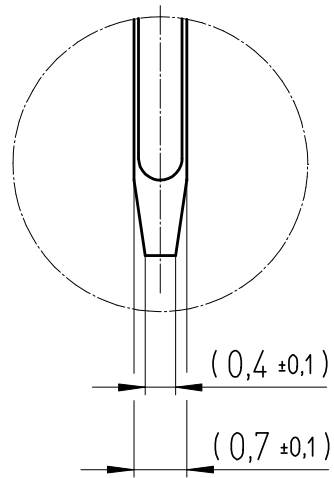


Layout top view



- Samples can deviate in the execution from the serie.

Tab material: Stainless steel

All framed values will be used for dimension checking !

- Dimensions and tolerances can be specified only after the testing of the devices for the mass production definitely

Rev.	○			Rev.	○		Customer's Approval			
Rev.	○			Rev.	○		☞	⊕	Date	
Rev.	○			Rev.	○				Signature	
Titel: CR1025FV-LF							Scale 2:1	Drawn	21.12.04	SRi
								Checked	07.02.05	MHo
								Approved		
renata batteries							CH-4452 Itingen Switzerland			3.8697.4-