

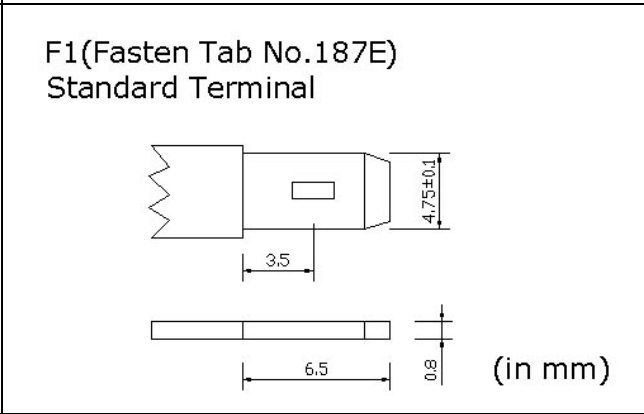
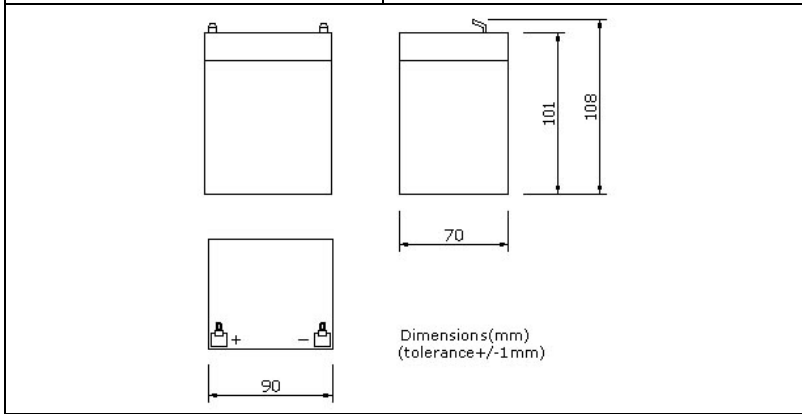
# EnergiVm

CE  MH 28269

MV1245(12V4.5Ah)

## PHYSICAL SPECIFICATION

Nominal Voltage Nominal Capacity (20HR)		12V 4.5Ah
Dimension	Length	90±1mm (3.54 inches)
	Width	70±1mm (2.76 inches)
	Container Height	101±1mm (3.98 inches)
	Total Height	108±1mm (4.25 inches)
Weight		Approx. 1.55 Kg (3.42lbs)
Standard Terminal		Fasten Tab No.187E



## ELECTRICAL SPECIFICATION

Characteristics		
Capacity	20 hour rate (0.225A)	4.5Ah
	10 hour rate (0.405A)	4.3Ah
	5 hour rate (0.765A)	3.9Ah
	3 hour rate (1.125A)	3.4Ah
	1hour rate (2.7A)	2.7Ah
Capacity affected by temperature	40°C (104 °F)	102%
	25°C (77 °F)	100%
	0°C (32 °F)	85%
Internal Resistance		Full charged battery (25°C, 77 °F) 40mΩ
Constant Voltage Charge	Cycle	Initial Charging Current less than 1.35A Voltage 14.4~15.0V at 25°C (77 °F) Temperature Coefficient -30mV/°C
	Standby	No limit on Initial Charging Current Voltage 13.5~13.8V at 25°C (77 °F) Temperature Coefficient -20mV/°C

