

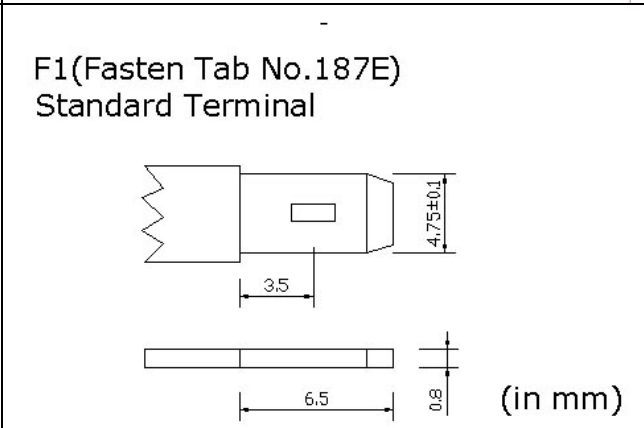
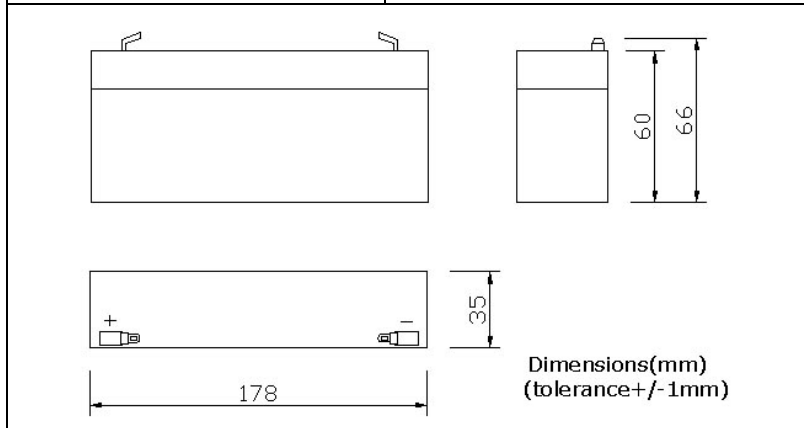
# Energivm

CE  MH 28269

MV1222(12V2.2Ah)

## PHYSICAL SPECIFICATION

Nominal Voltage Nominal Capacity (20HR)		12V 2.2Ah
Dimension	Length	178±1mm (7.01 inches)
	Width	35±1mm (1.38 inches)
	Container Height	60±1mm (2.36 inches)
	Total Height	66±1mm (2.60 inches)
Weight		Approx. 0.95Kg (2.09lbs)
Standard Terminal		F1-Fasten Tab No.187E



## ELECTRICAL SPECIFICATION

Characteristics		
Capacity	20 hour rate (0.11A)	2.2Ah
	10 hour rate (0.198A)	2.1Ah
	5 hour rate (0.374A)	1.9Ah
	3 hour rate (0.55A)	1.7Ah
	1hour rate (1.32A)	1.4Ah
Capacity affected by temperature	40°C (104 °F)	102%
	25°C (77 °F)	100%
	0°C (32 °F)	85%
Internal Resistance		Full charged battery (25°C,77 °F) 50mΩ
Constant Voltage Charge	Cycle	Initial Charging Current less than 0.66A Voltage 14.4~15.0V at 25°C (77 °F) Temperature Coefficient -30mV/°C
	Standby	No limit on Initial Charging Current Voltage 13.5~13.8V at 25°C (77 °F) Temperature Coefficient -20mV/°C

