

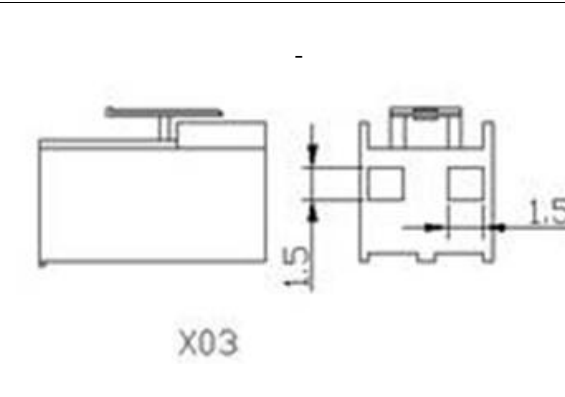
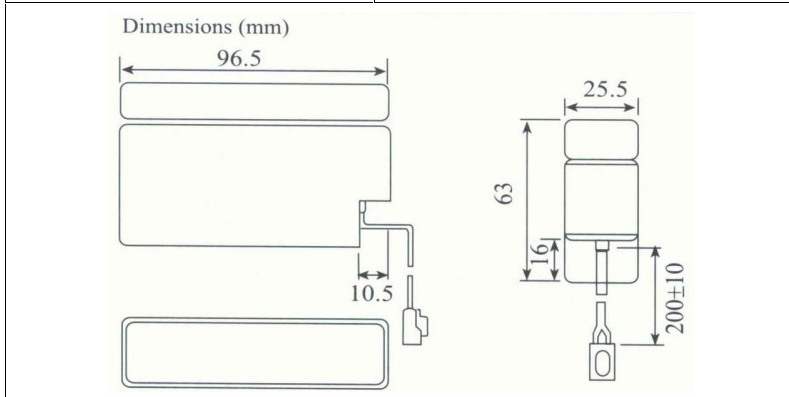
EnergiVm

CE, RoHS MH 28269

MV1208 (12V0. 8AH)

PHYSICAL SPECIFICATION

Nominal Voltage Nominal Capacity (20HR)		12V 0.8Ah
Dimension	Length	96.5 1mm (3.80 inches)
	Width	25.5 1mm (1.00 inches)
	Container Height	63 1mm (2.48 inches)
	Total Height	63 1mm (2.48 inches)
Weight		Approx. 0.32Kg
Standard Terminal		Wire and Connector Type : X03



ELECTRICAL SPECIFICATION

Characteristics		
Capacity	20 hour rate (40mA)	0.8Ah
	10 hour rate (72mA)	0.68Ah
	5 hour rate (136mA)	0.61Ah
	1hour rate (480mA)	0.44Ah
Capacity affected by temperature	40 (104 °F)	102%
	25 (77 °F)	100%
	0 (32 °F)	85%
Internal Resistance		Full charged battery (25 ,77 °F) 10m
Constant Voltage Charge	Cycle	Initial Charging Current less than 0.24A Voltage 14.4~15.0V at 25 (77 °F) Temperature Coefficient -30mV/
	Standby	No limit on Initial Charging Current Voltage 13.5~13.8V at 25 (77 °F) Temperature Coefficient -20mV/

Discharge curves @ 25 (77 °F)

